



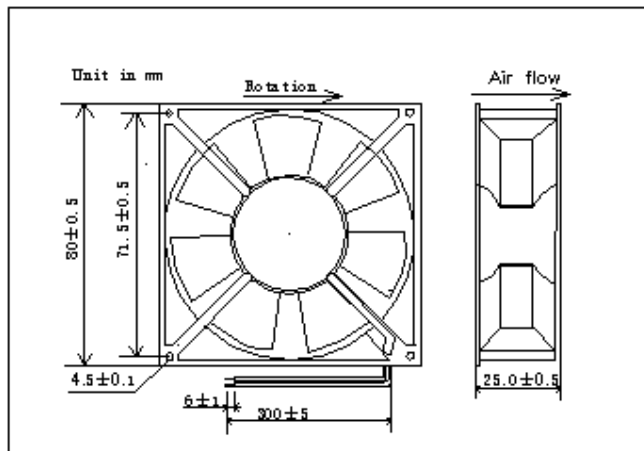
DC FAN

80mm×80mm×25mm

- Housing: Plastic P.B.T.
- Blade: Plastic P.B.T
- Insulation Resistance: 10MΩ at 500VDC between lead and frame
- Dielectric Strength: 1 min at 500VAC/50-60HZ ,current 5mA
- Operation Temperature: -15°C^75°C
- Operation Humidity: 20%^85%
- Working voltage: Rated Voltage ±15%
- Life at 25°C: Ball bearing 60,000hr, sleeve bearing 30,000hr



Model	Bearing Style	Voltage VDC	Current AMPS	I/P Watts	Speed RPM	Air Flow CFM	Air Pressure mmH2O	Noise DbA	Weight
FND-80-12 V	S	12	0.20	2.40	3200	40.3	5.0	37	75g



Conversion Table of Airflow

CFM	m ³ /sec	m ³ /min	ft ³ /sec
2118	1	60	35.31
35.31	0.01666	1	0.5885
60	0.02832	1.69833	1
1	0.00047	0.02832	0.01666

Conversion Table of Air Pressure

mmH ₂ O	inH ₂ O	Pa=N/m	afm
1	0.03939	9.80665	0.00009
25.4	1	249	0.00246
0.10197	0.0040	1	0.00001
10332	407.1	101325	1





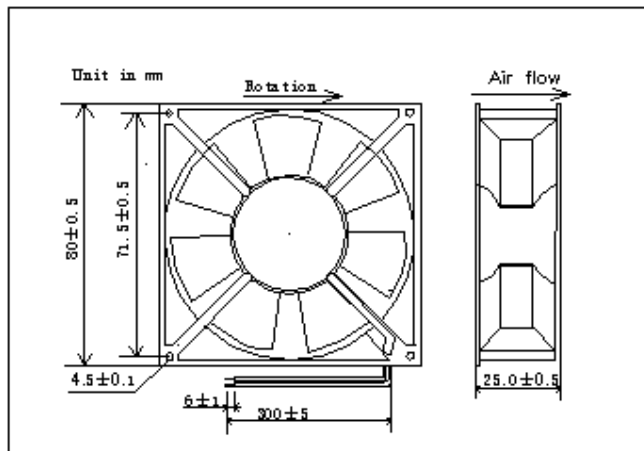
DC FAN

80mm×80mm×25mm

- Housing: Plastic P.B.T.
- Blade: Plastic P.B.T
- Insulation Resistance: 10MΩ at 500VDC between lead and frame
- Dielectric Strength: 1 min at 500VAC/50-60HZ ,current 5mA
- Operation Temperature: -15°C^75°C
- Operation Humidity: 20%^85%
- Working voltage: Rated Voltage ±15%
- Life at 25°C: Ball bearing 60,000hr, sleeve bearing 30,000hr



Model	Bearing Style	Voltage VDC	Current AMPS	I/P Watts	Speed RPM	Air Flow CFM	Air Pressure mmH2O	Noise DbA	Weight
FND-80-12 V	S	12	0.20	2.40	3200	40.3	5.0	37	75g



Conversion Table of Airflow

CFM	m ³ /sec	m ³ /min	ft ³ /sec
2118	1	60	35.31
35.31	0.01666	1	0.5885
60	0.02832	1.69833	1
1	0.00047	0.02832	0.01666

Conversion Table of Air Pressure

mmH ₂ O	inH ₂ O	Pa=N/m	afm
1	0.03939	9.80665	0.00009
25.4	1	249	0.00246
0.10197	0.0040	1	0.00001
10332	407.1	101325	1



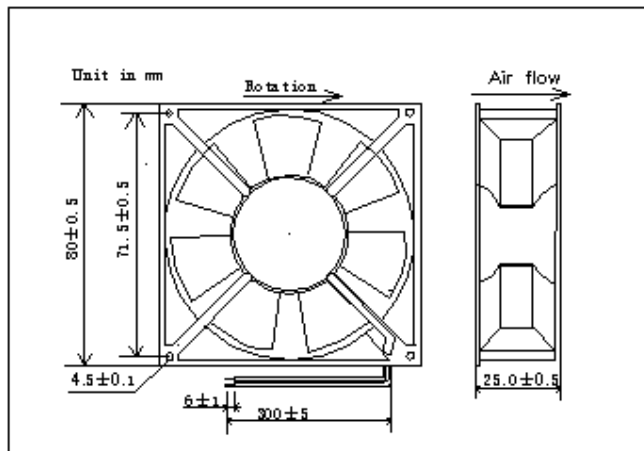
DC FAN

80mm×80mm×25mm

- Housing: Plastic P.B.T.
- Blade: Plastic P.B.T
- Insulation Resistance: 10MΩ at 500VDC between lead and frame
- Dielectric Strength: 1 min at 500VAC/50-60HZ ,current 5mA
- Operation Temperature: -15°C^75°C
- Operation Humidity: 20%^85%
- Working voltage: Rated Voltage ±15%
- Life at 25°C: Ball bearing 60,000hr, sleeve bearing 30,000hr



Model	Bearing Style	Voltage VDC	Current AMPS	I/P Watts	Speed RPM	Air Flow CFM	Air Pressure mmH2O	Noise DbA	Weight
FND-80-12 V	S	12	0.20	2.40	3200	40.3	5.0	37	75g



Conversion Table of Airflow

CFM	m ³ /sec	m ³ /min	ft ³ /sec
2118	1	60	35.31
35.31	0.01666	1	0.5885
60	0.02832	1.69833	1
1	0.00047	0.02832	0.01666

Conversion Table of Air Pressure

mmH ₂ O	inH ₂ O	Pa=N/m	afm
1	0.03939	9.80665	0.00009
25.4	1	249	0.00246
0.10197	0.0040	1	0.00001
10332	407.1	101325	1





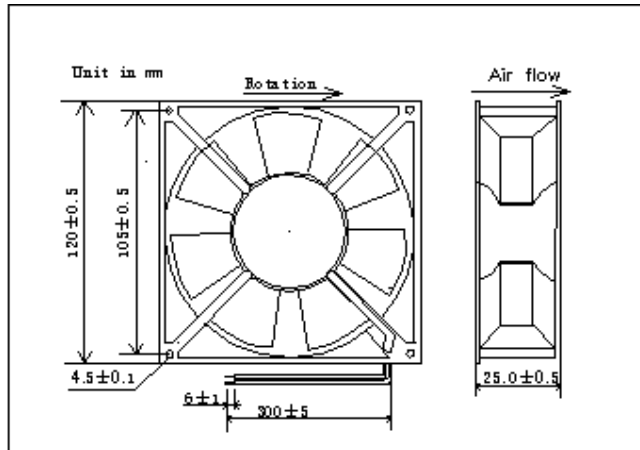
DC FAN

120mm×120mm×25mm

- Housing: Plastic P.B.T.
- Blade: Plastic P.B.T
- Insulation Resistance: 10MΩ at 500VDC between lead and frame
- Dielectric Strength: 1 min at 500VAC/50-60HZ ,current 5mA
- Operation Temperature: -15°C^75°C
- Operation Humidity: 20%^85%
- Working voltage: Rated Voltage ±15%
- Life at 25°C: Ball bearing 60,000hr, sleeve bearing 30,000hr



Model	Bearing Style	Voltage VDC	Current AMPS	I/P Watts	Speed RPM	Air Flow CFM	Air Pressure mmH2O	Noise DbA	Weight
FND-120-12 V	S	12	0.46	5.52	2500	100	6.0	43.3	160g



Conversion Table of Airflow

CFM	m ³ /sec	m ³ /min	ft ³ /sec
2118	1	60	35.31
35.31	0.01666	1	0.5885
60	0.02832	1.69833	1
1	0.00047	0.02832	0.01666

Conversion Table of Air Pressure

mmH ₂ O	inH ₂ O	Pa=N/m	afm
1	0.03939	9.80665	0.00009
25.4	1	249	0.00246
0.10197	0.0040	1	0.00001
10332	407.1	101325	1



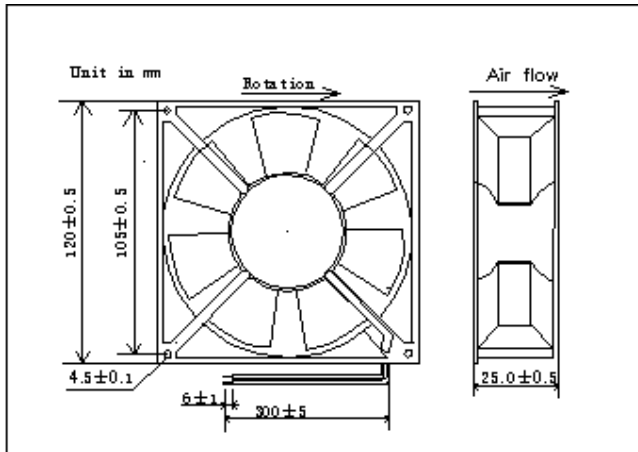


DC FAN
120mm×120mm×25mm

- Housing: Plastic P.B.T.
- Blade: Plastic P.B.T
- Insulation Resistance: 10MΩ at 500VDC between lead and frame
- Dielectric Strength: 1 min at 500VAC/50-60HZ ,current 5mA
- Operation Temperature: -15°C^75°C
- Operation Humidity: 20%^85%
- Working voltage: Rated Voltage ±15%
- Life at 25°C: Ball bearing 60,000hr, sleeve bearing 30,000hr



Model	Bearing Style	Voltage VDC	Current AMPS	I/P Watts	Speed RPM	Air Flow CFM	Air Pressure mmH2O	Noise DbA	Weight
FND-120-24 V	S	24	0.28	6.72	2500	100	6.0	43.3	160g



Conversion Table of Airflow

CFM	m ³ /sec	m ³ /min	ft ³ /sec
2118	1	60	35.31
35.31	0.01666	1	0.5885
60	0.02832	1.69833	1
1	0.00047	0.02832	0.01666

Conversion Table of Air Pressure

mmH ₂ O	inH ₂ O	Pa=N/m	afm
1	0.03939	9.80665	0.00009
25.4	1	249	0.00246
0.10197	0.0040	1	0.00001
10332	407.1	101325	1

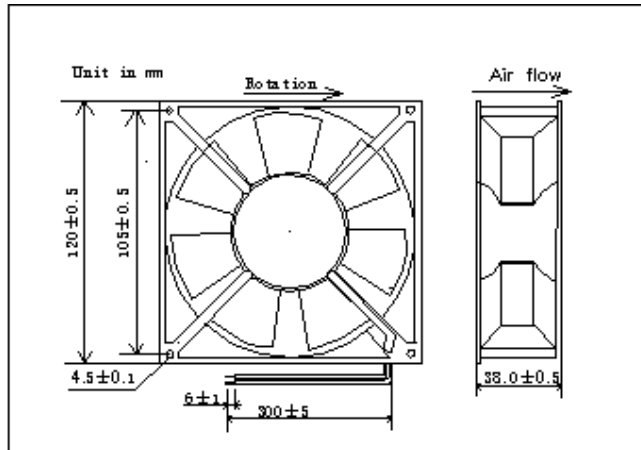


DC FAN
120mm×120mm×25mm

- Housing: Plastic P.B.T.
- Blade: Plastic P.B.T
- Insulation Resistance: 10MΩ at 500VDC between lead and frame
- Dielectric Strength: 1 min at 500VAC/50-60HZ ,current 5mA
- Operation Temperature: -15°C^75°C
- Operation Humidity: 20%^85%
- Working voltage: Rated Voltage ±15%
- Life at 25°C: Ball bearing 60,000hr, sleeve bearing 30,000hr



Model	Bearing Style	Voltage VDC	Current AMPS	I/P Watts	Speed RPM	Air Flow CFM	Air Pressure mmH2O	Noise DbA	Weight
FND-120-48 V	S	48	0.27	12.96	2900	132.5	8.4	45.8	230g



Conversion Table of Airflow

CFM	m ³ /sec	m ³ /min	ft ³ /sec
2118	1	60	35.31
35.31	0.01666	1	0.5885
60	0.02832	1.69833	1
1	0.00047	0.02832	0.01666

Conversion Table of Air Pressure

mmH ₂ O	inH ₂ O	Pa=N/m	afm
1	0.03939	9.80665	0.00009
25.4	1	249	0.00246
0.10197	0.0040	1	0.00001
10332	407.1	101325	1